

THC-B120-MPIRL 2 MP PIR Bullet Camera



Key Features

- 2 MP high-performance CMOS
- 1920 × 1080 resolution
- 2.8 mm, 3.6 mm fixed lens
- PIR detection, visual alarm
- Day/Night switch
- EXIR 2.0, smart IR, up to 20 m IR distance
- IP66

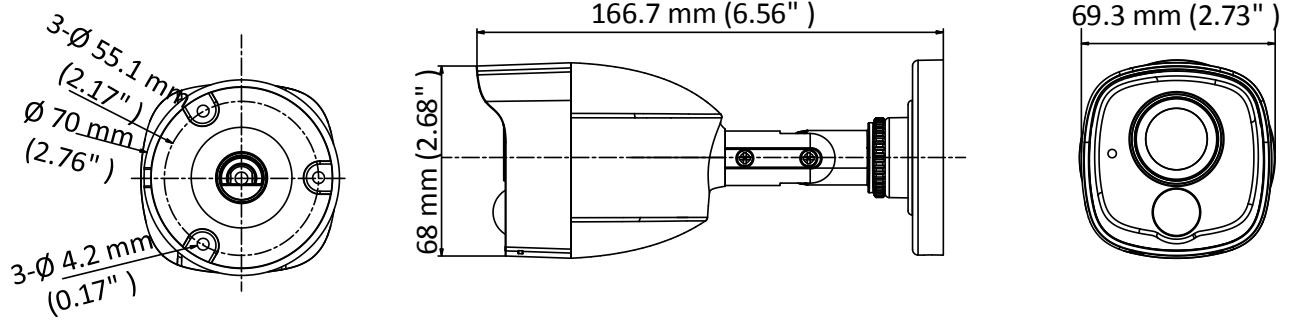
Specifications

| Camera | |
|--------------------------|--|
| Image Sensor | 2 MP CMOS image sensor |
| Signal System | PAL/NTSC |
| Resolution | 1920 (H) × 1080 (V) |
| Video Frame Rate | PAL:1080p@25fps NTSC: 1080p@30fps |
| Min. Illumination | Color: 0.01 Lux@(F1.2, AGC ON), 0 Lux with IR |
| Shutter Time | 1/25 (1/30) s to 1/50,000 s |
| Lens | 2.8 mm, 3.6 mm |
| Horizontal Field of View | 106.4° (2.8 mm), 81.3° (3.6 mm) |
| Lens Mount | M12 |
| Day & Night | IR cut filter |
| Angle Adjustment | Pan: 0° to 360°, Tilt: 0° to 180°, Rotation: 0° to 360° |
| Synchronization | Internal synchronization |
| Menu | |
| White Light | Alarm/Off |
| AGC | High/Medium/Low |
| Day/Night Mode | Auto/Color/BW (Black and White) |
| BLC | Yes |
| DWDR | Yes |
| Language | English |
| Functions | Brightness, Contrast, Sharpness, Saturation, DNR, Mirror |
| Interface | |
| Video Output | 1 HD analog output |
| General | |
| Operating Conditions | -40 °C to 60 °C (-40 °F to 140 °F), Humidity: 90% or less (non-condensation) |
| Power Supply | 12 VDC ± 25% |
| Power Consumption | Max. 3.6 W |
| Protection Level | IP66 |
| Material | Metal |
| IR Range | Up to 20 m |
| Dimensions | 166.7 mm × 68 mm × 69.3 mm (6.56" × 2.68" × 2.73") |
| Weight | Approx. 296 g (6.5 lb.) |

Order Model

THC-B120-MPIRL

Dimension



Accessories



HIA-J101
Junction Box

